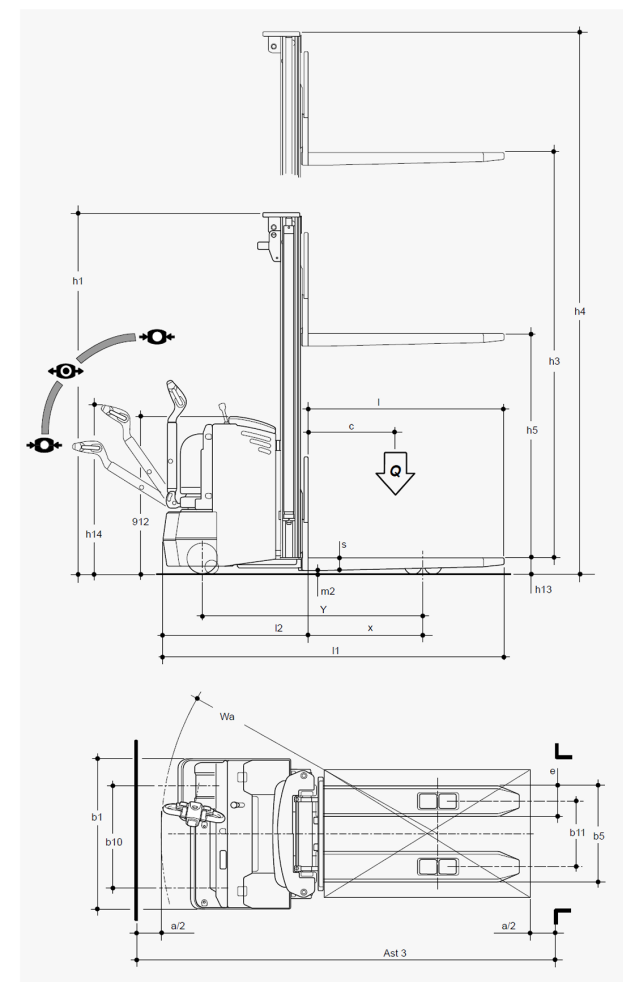


Characteristics	1.1 Manufacturer		Clark	
		1.2 Manufacturer's model designation		C PS 20
	1.3 Drive : E (electric)		E	
	1.4 Type of control : T (tiller) S (steering wheel) A (pedestrian) P (standing) R (seated)		T / A	
	1.5 Load capacity	Q (t)	2.0	
	1.6 Load centre distance	c (mm)	600	
	1.8 Load distance, centre of drive axle to fork	X (mm)	680	
	1.9 Wheelbase	Y (mm)	1.420	
Weights	2.1 Service weight (battery included)		Kg	1.200
	2.2 Axle loading (with load)	front / rear	Kg	
	2.3 Axle loading (without load)	front / rear	Kg	
Wheels - Chassis	3.1 Tyres : plt (polyurethane) vlk (vulkollan)		plt	
	3.2 Front wheels size	mm	245	
	3.3 Rear wheels size	mm	85	
	3.4 Stabilizers wheels dimensions	mm	150	
	3.5 Wheels : number front / rear (x = traction)		1x + 1 / 4	
	3.6 Front track width	b 10	610	
	3.7 Rear track width	b 11	380	
Dimensions	4.2 Lowered mast height		h1 (mm)	2.105
	4.3 Free lift		h5 (mm)	1.560
	4.4 Lifting height		h3 (mm)	3.100
	4.5 Extended mast height		h4 (mm)	3.700
	4.6 Free lift			
	4.9 Height of tiller arm in drive position (min / max)		h14 (mm)	870 / 1.300
	4.15 Forks lowered height		h13 (mm)	90
	4.19 Total length		l1 (mm)	2.100
	4.20 Length to forks face		l2 (mm)	950
	4.21 Overall width		b1 / b2 (mm)	880
	4.22 Forks dimensions		s / e / l	70 / 180 / 1.150
	4.24 Fork carriage width		b3 (mm)	670
	4.25 Width over forks		b5 (mm)	560
	4.32 Ground clearance		m2 (mm)	30
	4.33 Aisle width for pallets 1000 x 1200 forking side 1200		Ast3 (mm)	
4.34 Aisle width for pallets 800 x 1200 forking side 800		Ast3 (mm)	2.455	
4.35 Turning radius		Wa (mm)	1.800	
Performances	5.1 Travel speed	laden / unladen	Km / h	5.8 / 6
	5.2 Lifting speed	laden / unladen	m / s	0.12 / 0.20
	5.3 Lowering speed	laden / unladen	m / s	0.45 / 0.40
	5.7 Gradient performance (S2 30 min)		%	
	5.8 Max gradient performance (S2 5 min)		%	6 / 10
	5.10 Service brake M (mechanical) l (hydraulic) IV (inversion braking)			
El.Motor	6.1 Traction motor, rating S2 60 min		KW	2
	6.2 Lifting motor, rating S3 15%		KW	3
	6.3 Battery according DIN 43531 / 35 / 36 A, B, C, no			no
	6.4 Battery voltage, nominal capacity K5		V / Ah	24 / 300
	6.5 Battery weight (± 5 %)		Kg	210
Others	8.1 Type of travel control			MOS DC
	8.4 Sound level at driver's ear		dB (A)	< 70
Technical specification according to VDI 2198			DS.035EN.REV.02	

All values shown are for standard lift truck with standard equipment. If the truck is supplied with options, values may change. All values given may vary +5% and -10% due to the motor and system tolerances and represent nominal values obtained under typical operating conditions.



h3		h1	h4	h5	(Q) t
1.650	mm	2.085	2.250	1.565	2.0
2.800	mm	1.955	3.400	1.410	2.0
3.100	mm	2.105	3.700	1.560	1.8
3.600	mm	2.355	4.200	1.810	1.6
3.900	mm	1.855	4.500	1.310	1.5
4.200	mm	1.955	4.800	1.410	1.4
4.650	mm	2.105	5.250	1.560	1.1